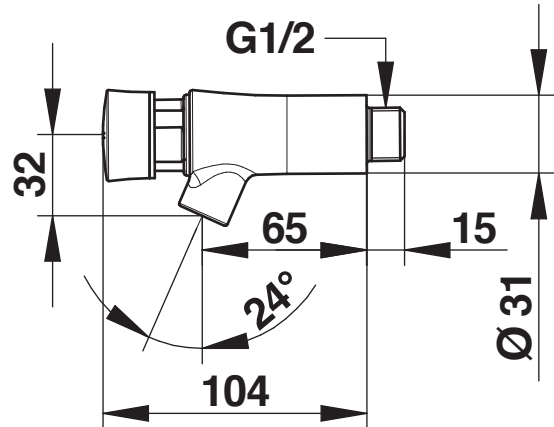


# TECHNICAL DATA SHEET

# PRESTO®

**Range:** Washbasin single self-closing tap

**Ref:** 66220 - PRESTO NEO S® Stainless Steel wall-mounted tap - 7 sec. (PRESTOGREEN)



## > Working pressure:

- 1 to 5 bar

## > Flow:

- 3 l/min at 3 bars - 4-position setting
- Anti water-hammer system

## > Flow time:

- 7 seconds

## > Hydraulic supply:

- G 1/2" x 15 - cold water

## > Dimensions :

- 65mm projection

## > Thermal resistance:

- This tap can withstand a thermal shock of 75°C for 30 minutes as part of a thermal shock programme

## > Safety:

- With S® antiblocking system to prevent blocking in continuous flow
- Interchangeable head and non-turnable push button to avoid premature wear
- Non-removable blue circled marker

## > Delivered with:

- 1 Installation manual

## > Standards / Approvals:

- Stainless steel body (304 L)
- Neutral Salt Spray (NSS) resistant: 200 h according to NF ISO 9227

